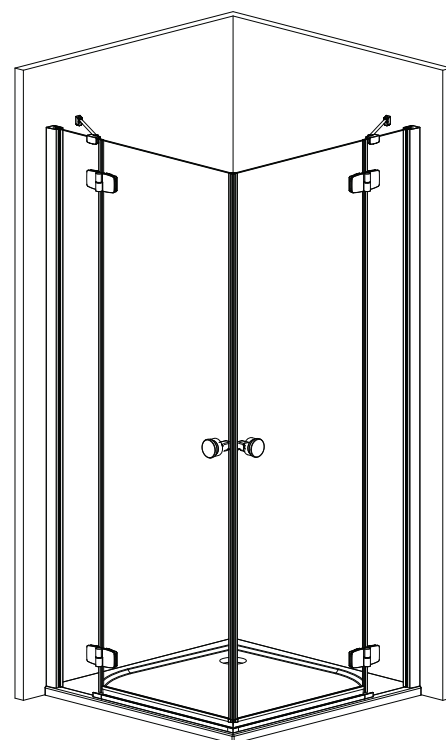
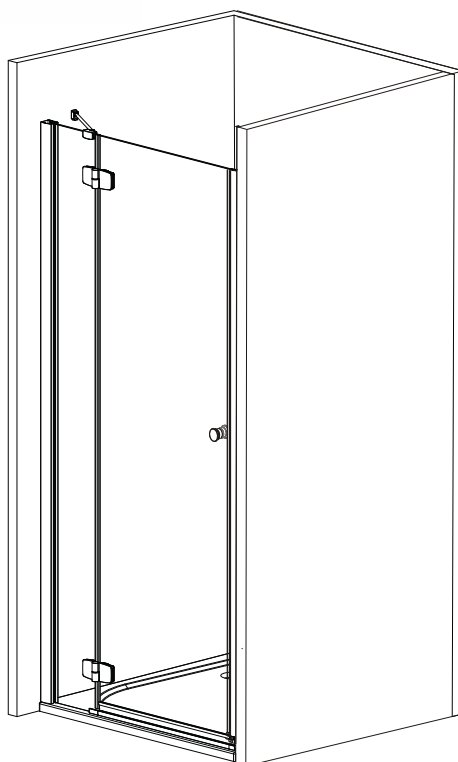


- D Montageanleitung  
 E Mounting Instruction  
 HR Uputi za upotrebu  
 SLO Navodlilo za monta o kadi  
 HU Útmutató a zuhanykabin beszereléséhez  
 RO Instrucțiuni de montaj  
 CZ Návod k montá I vany  
 SK Návod na montáž  
 TR Montaj Klavuzu  
 BG Инструкции за монтаж



## Symbol foto

201801



**SANOTECHNIK**  
 Handelsgesellschaft m.b.H.  
 Industriestraße 5  
 A-2752 Wöllersdorf  
 Tel.: +43 2622 / 421 93 0  
 Fax: +43 2622 / 421 93 6  
 office@sanotechnik.at  
 www.sanotechnik.com



**SANOTECHNIK** Hungária Kft.  
**MAGYARORSZÁG**  
 Nagytétényi út 112  
 H-1222 BUDAPEST  
 Tel.: (+36 1) 424 06 70  
 Fax: (+36 1) 424 06 79  
 info@sanotechnik.hu  
 www.sanotechnik.com



**SC Sanotechnik COM** Rumänien S.R.L.  
**ROMANIA**  
 Tancabesti, DN 1, KM 26,5  
 Com. Snagov, jud. Ilfov  
 Tel.: +40 21 350 13 43  
 Fax: +40 21 350 13 44  
 office@sanotechnik.ro  
 www.sanotechnik.com

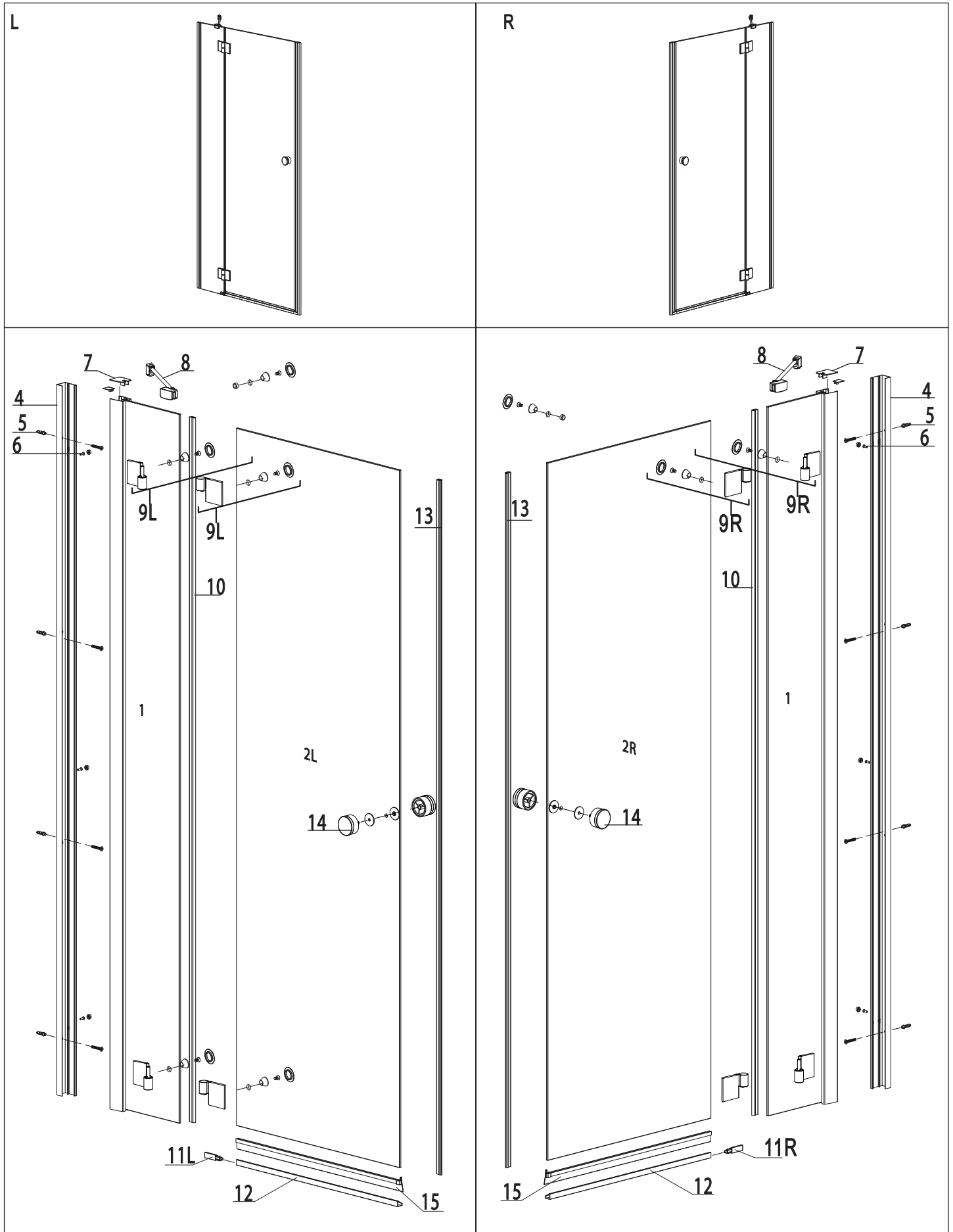


**SANOTECHNIK d.o.o.**  
**SLOVENIJA**  
 Stritarjevca ulica 24  
 SI-2000 MARIBOR  
 Tel. +3862/4213350  
 Fax +3862/4213358  
 info@sanotechnik.si  
 www.sanotechnik.com

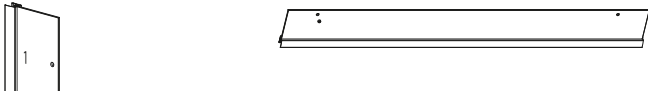
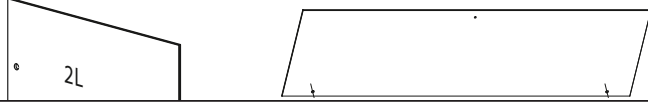
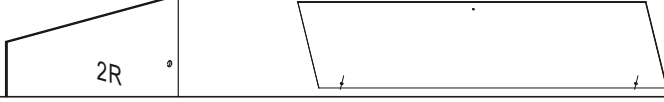



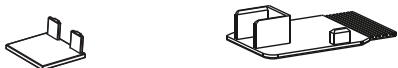
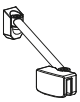
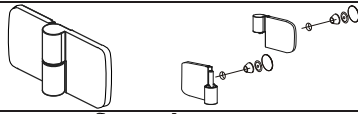

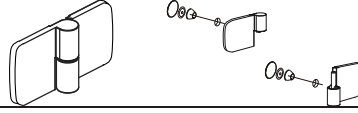


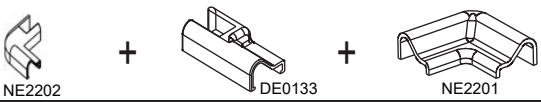
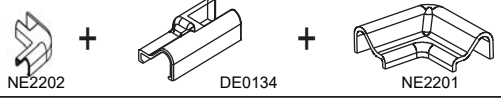
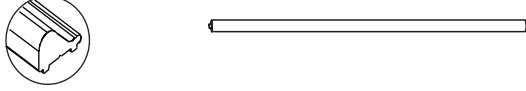


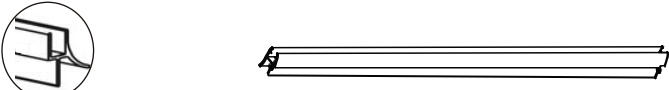


**Sanotechnik Bulgaria Ltd.**  
**BULGARIA**  
 3, Georgi Benev St.  
 BG-4003 Plovdiv  
 Tel: +359 32 961101  
 Fax: +359 32 961102  
 office@sanotechnik.bg  
 www.sanotechnik.com

◆ Assembly Drawing

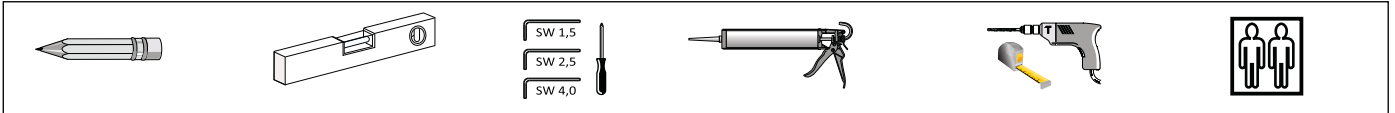


# ◆ Box Contents

1			X1
2L			X1
2R			X1
4	DE0127RO		X1
5	DE0138		X5
6	DE0137		X3
7	NE2204		X1
8	DE0136		X1
9L*	H07L	 +  Caution! - Don't mix the content of the hinges packages between them.	X2
9R**	H08R	 +  Caution! - Don't mix the content of the hinges packages between them.	X2
10	DE0156		X1
11R			X1
11L			X1
12	NE1719RO		X1
13	NE2304		X1
14	NE0901		X1
15	NE2409		X1

\*only for left enclosures  
\*\*only for right enclosures

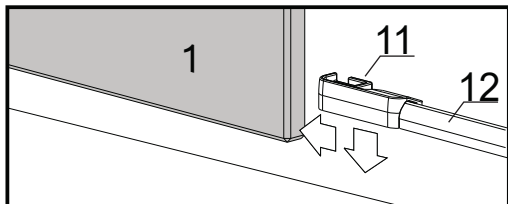
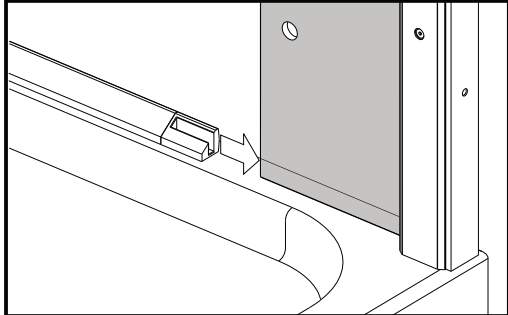
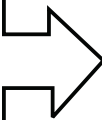
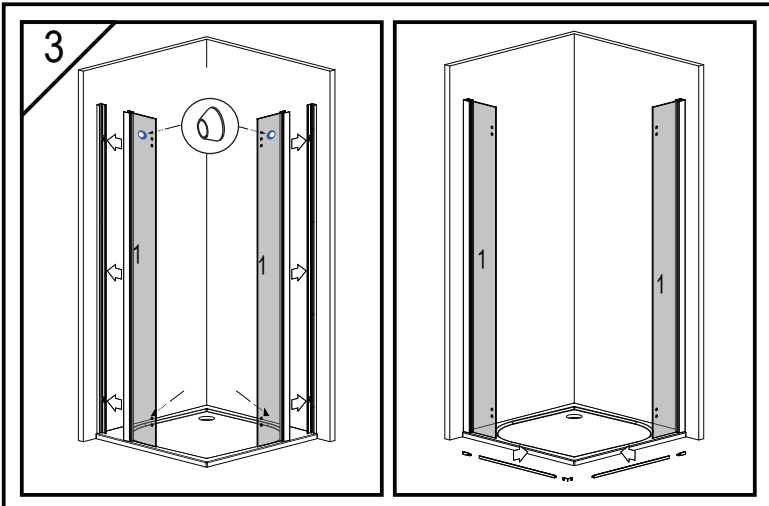
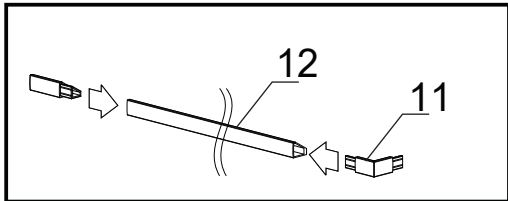
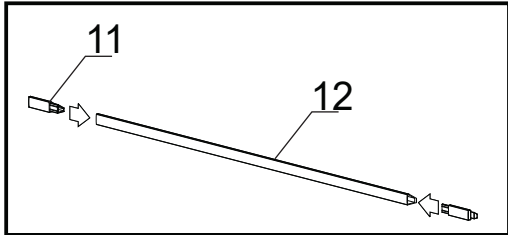
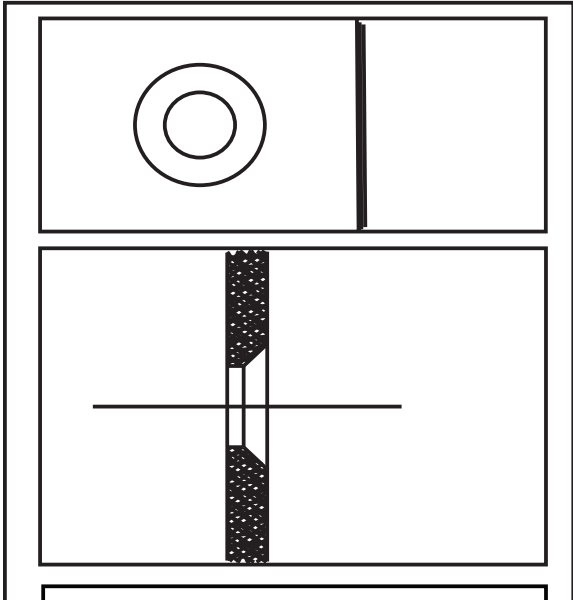
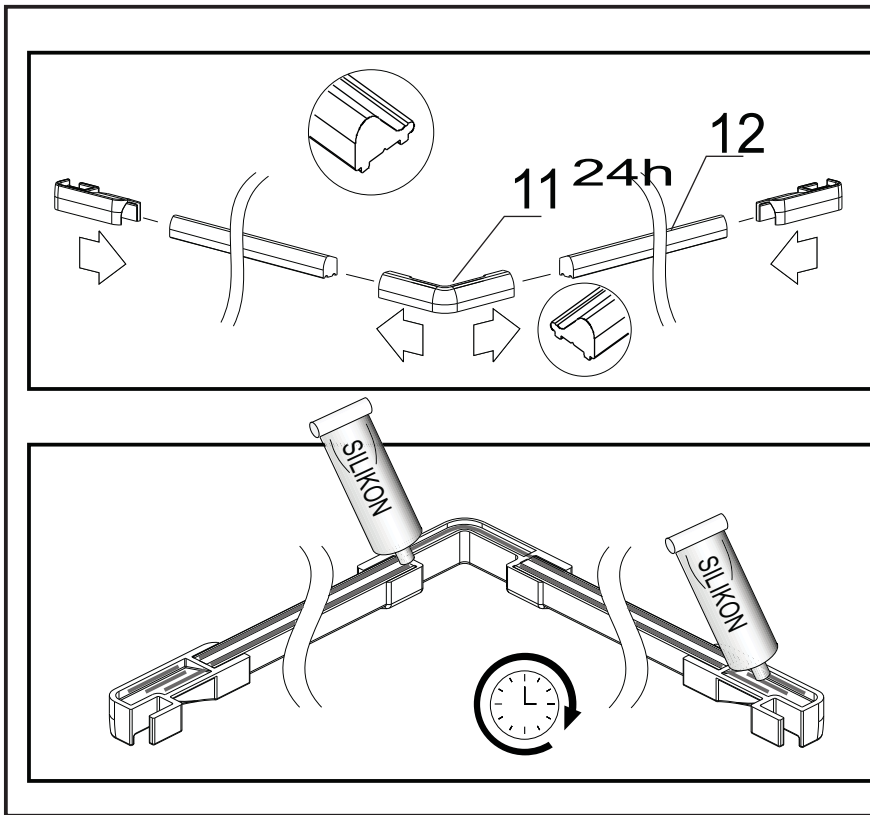
# ◆ Installation Steps

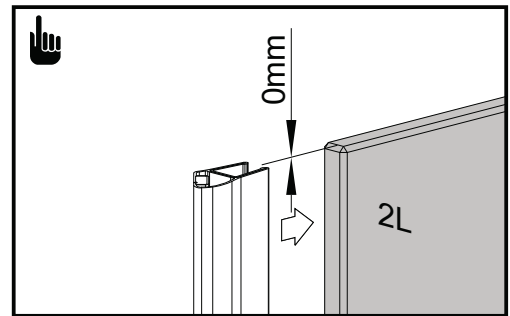
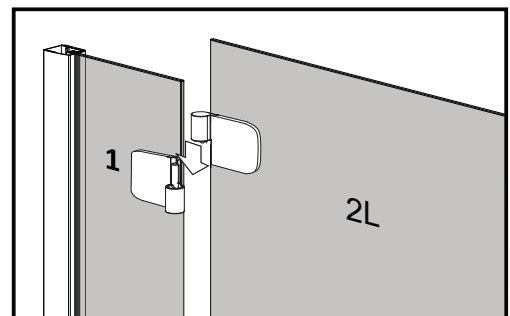
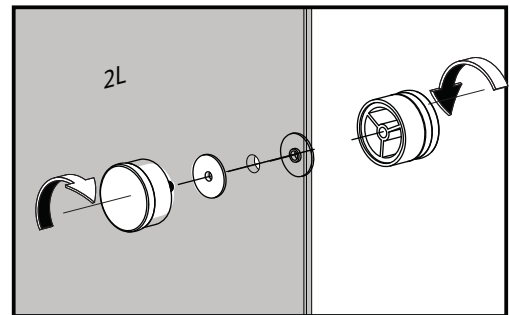
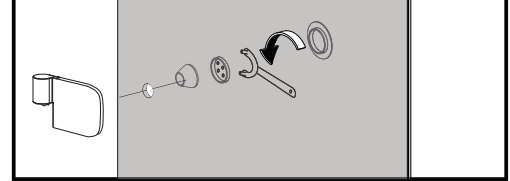
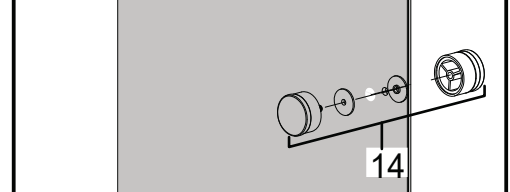
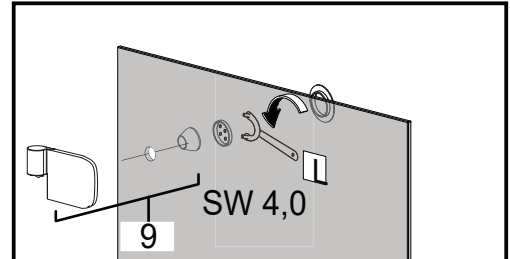
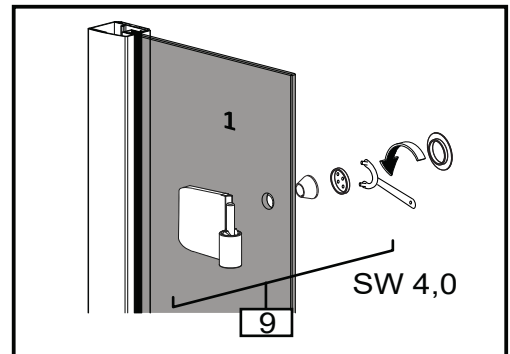
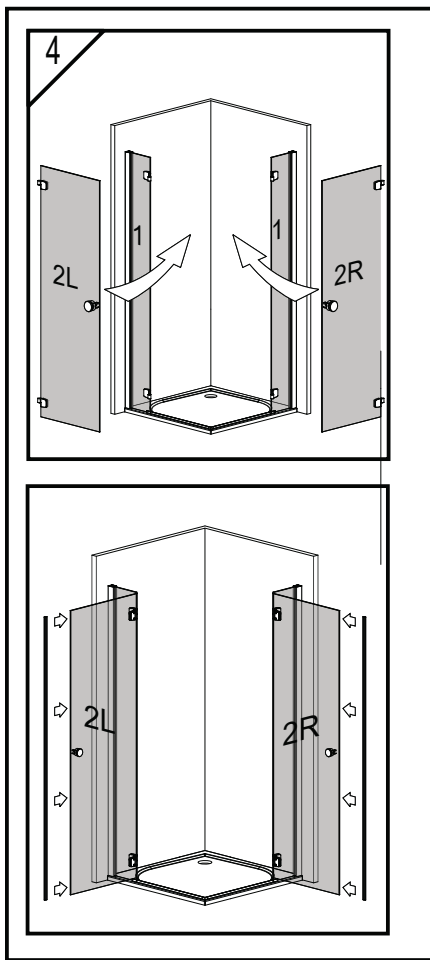


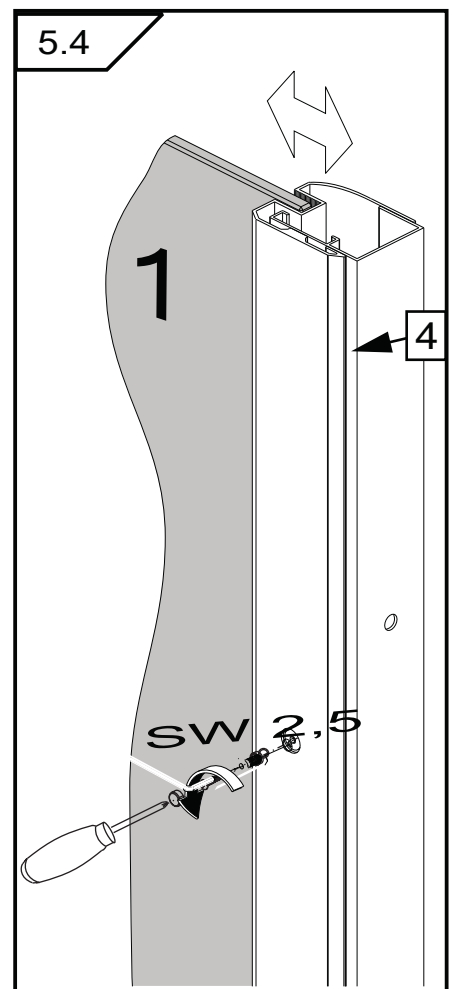
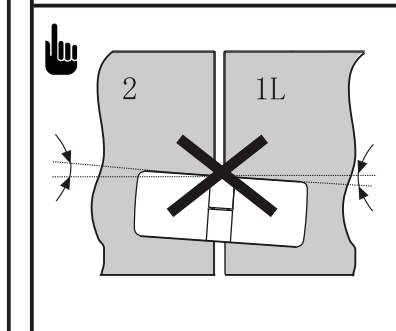
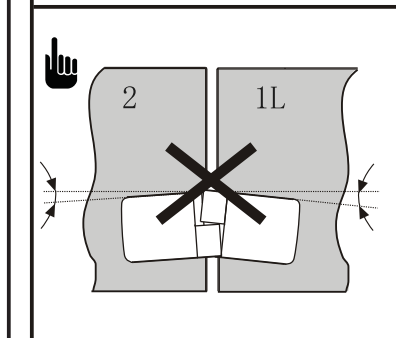
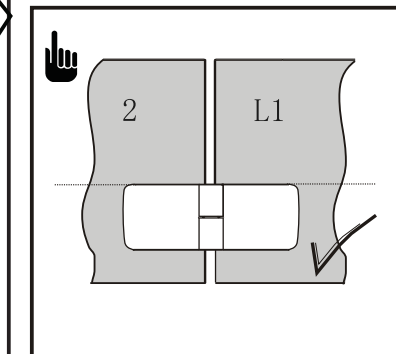
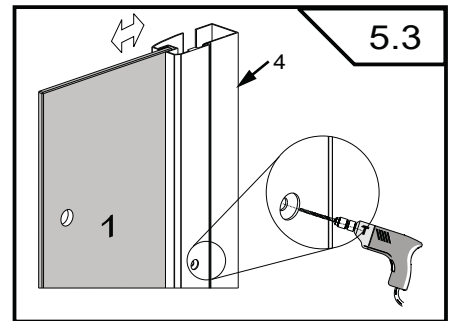
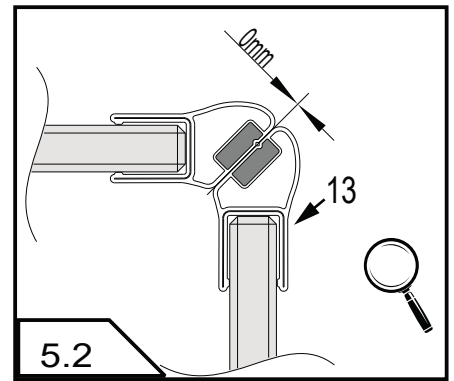
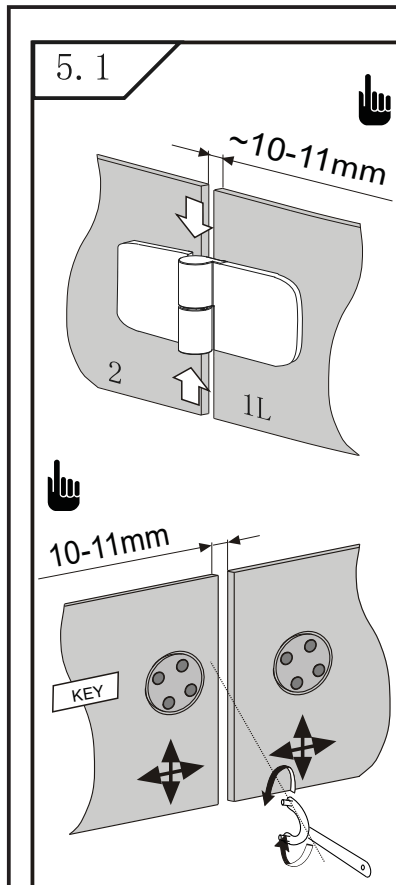
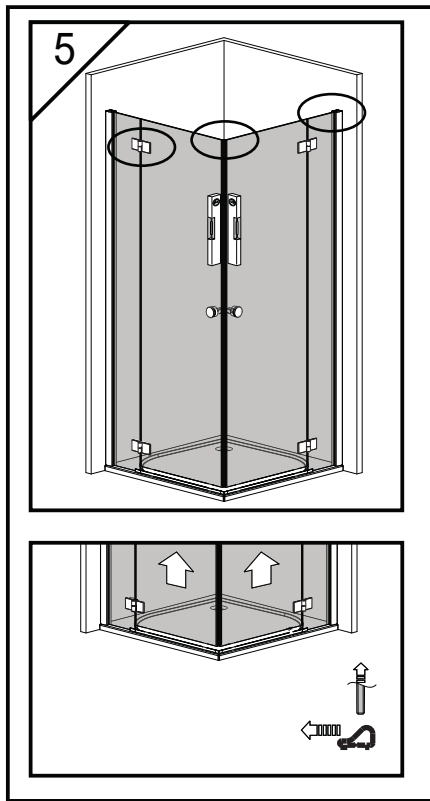
The main diagram illustrates the installation process in several stages:

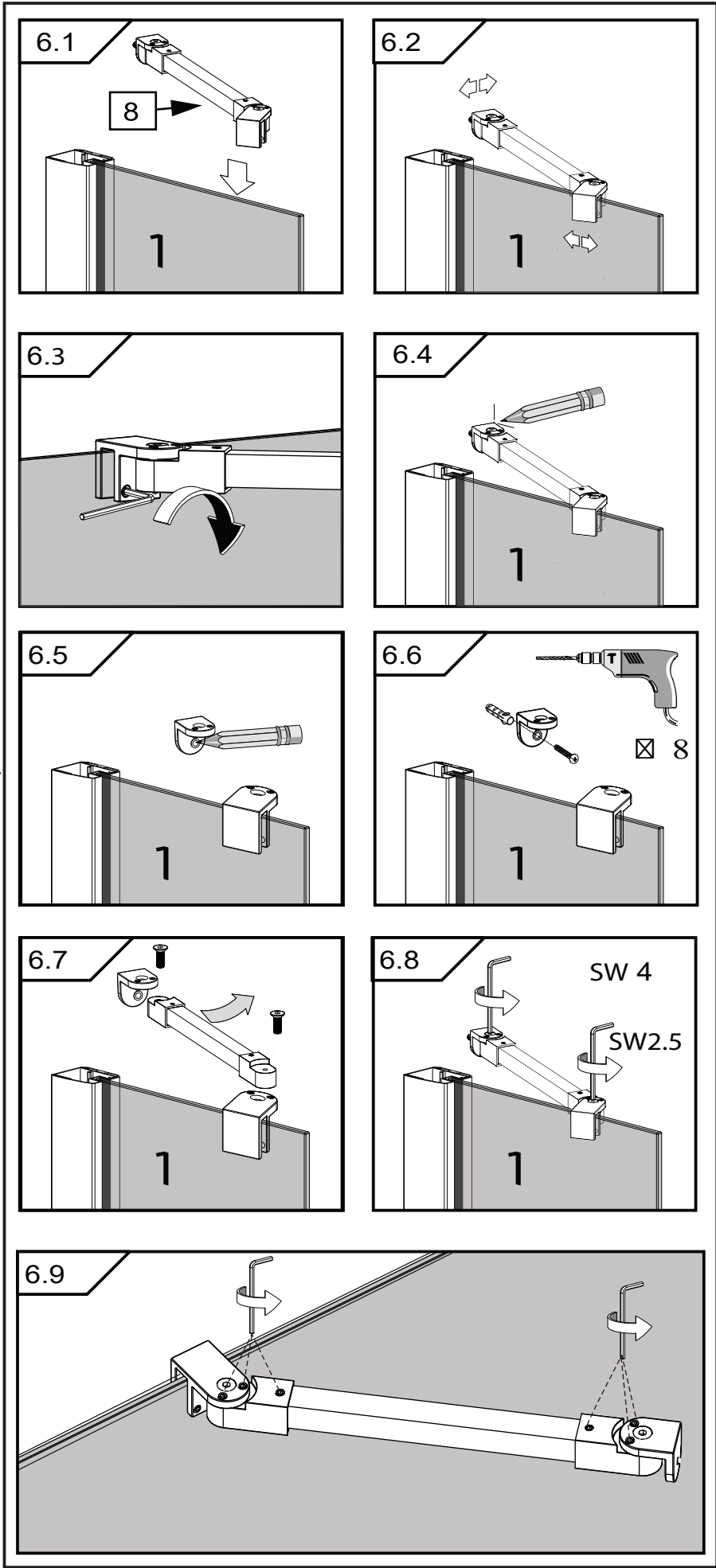
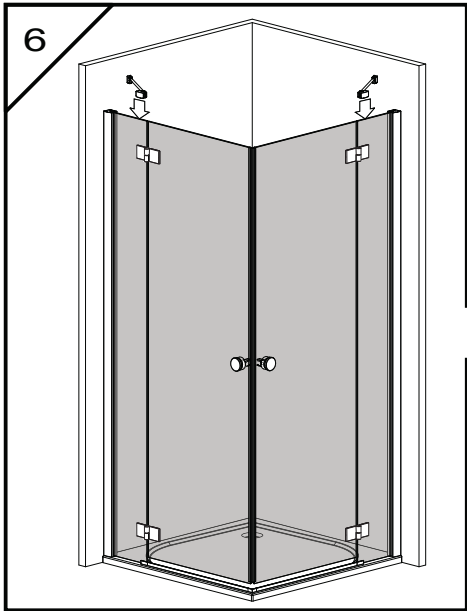
- Step 1:** Shows the shower tray being placed on the floor and leveled with spirit levels.
- Step 2:** Shows the shower tray being measured and marked on the wall. Dimensions X and Y are indicated. A detail shows the tray's profile with a height of 4.
- Step 3:** Shows the wall being prepared with a hole and a hole saw (Ø8) being used to drill through the wall.
- Step 4:** Shows the shower tray being secured to the wall with screws (5) and a drill.
- Step 5:** Shows the shower tray being leveled and the shower enclosure panels being attached to the wall and tray.

K/L	800/800	900/900	1000/1000
X	73,8-75,8	83,8-85,8	93,8-95,8
Y	73,8-75,8	83,8-85,8	93,8-95,8

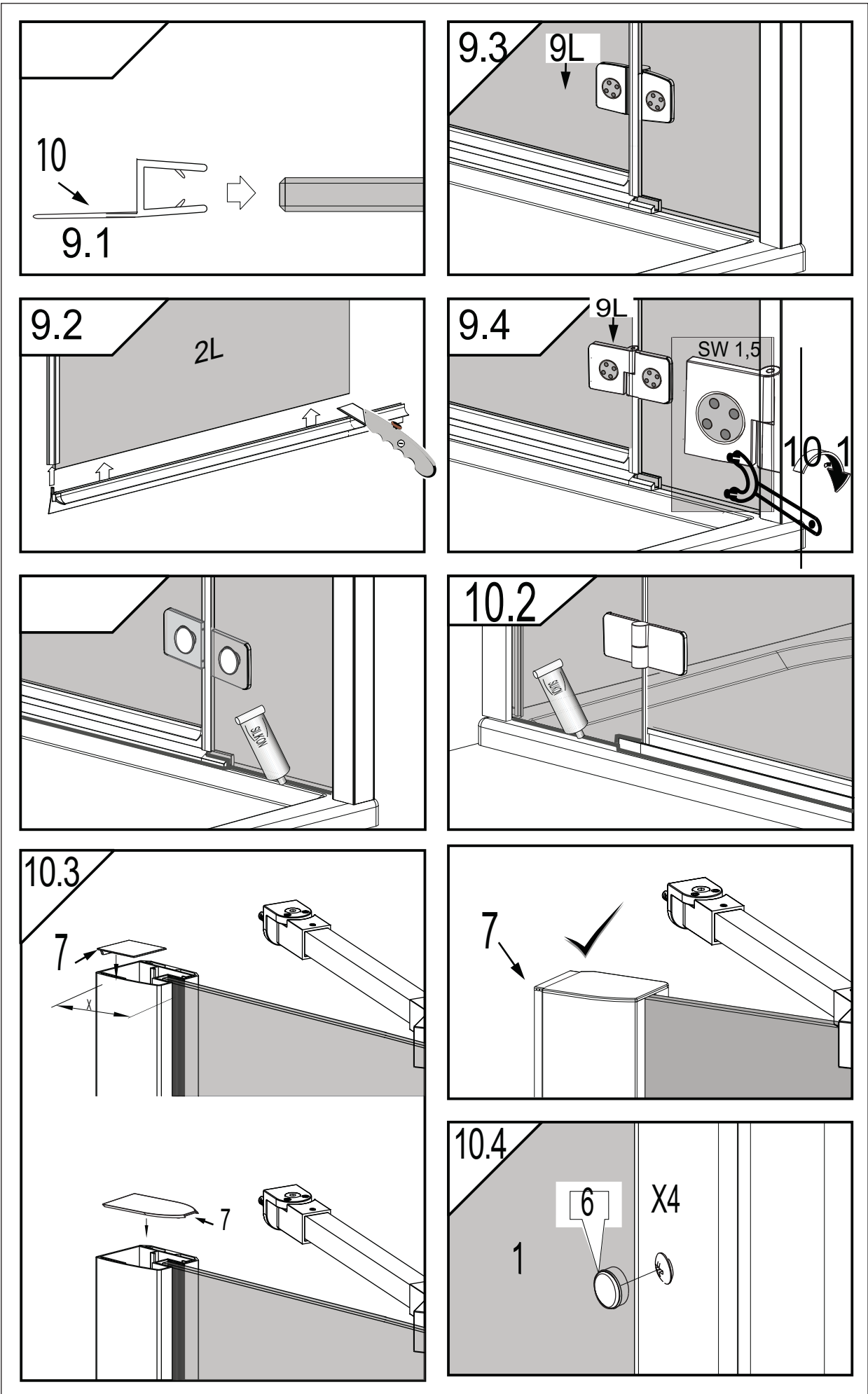


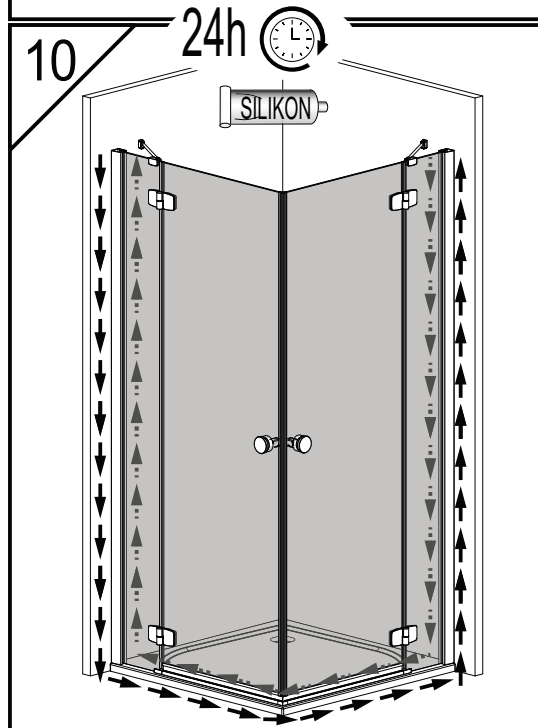
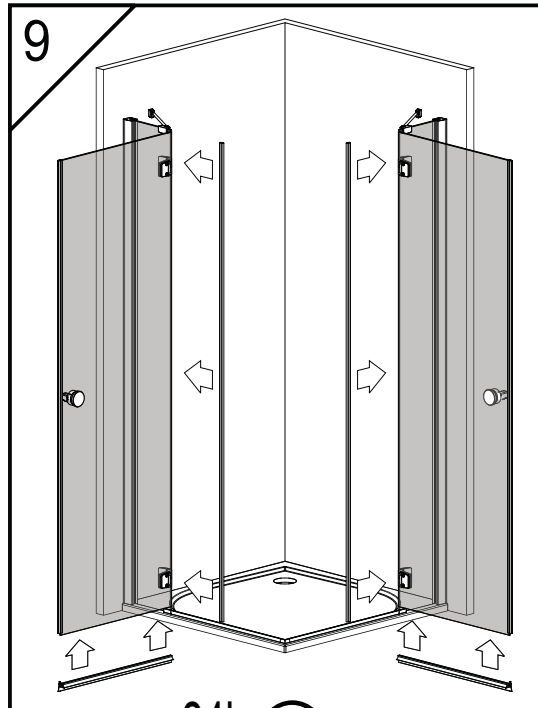












WE RECOMEND THE REMOVAL  
OF THE PERIMETER GLASS  
PROTECTION AFTER THE  
ASSEMBLY IS COMPLETE  
OR SAFE TO HANDLE.





Sanotechnik RUMÄNIEN S.R.L  
ROMANIA  
Tancabesti, DN 1, KM 26,5  
Com. Snagov, jud. Ilfov  
Tel.: +40 21 350 13 43  
Fax: +40 21 350 13 44

[office@sanotechnik.ro](mailto:office@sanotechnik.ro)  
[www.sanotechnik.com](http://www.sanotechnik.com)



SANOTECHNIK d.o.o  
SLOVENIA  
Stritarjeva ulica 24  
SI-2000 Maribor  
Tel.: +386 2/421 33 50  
Fax: +386 2/421 33 58

[info@sanotechnik.si](mailto:info@sanotechnik.si)  
[www.sanotechnik.com](http://www.sanotechnik.com)



SANOTECHNIK Hungária Kft.  
HUNGARY  
Nagytétényi út 112  
H-1222 Budapest  
Tel.: +36 1/424 06 70  
Fax: +36 1/424 06 79

[info@sanotechnik.hu](mailto:info@sanotechnik.hu)  
[www.sanotechnik.com](http://www.sanotechnik.com)



FORMATIC Ltd.  
BULGARIA  
3, Georgi Benev St.  
BG-4003 Plovdiv  
P.O. BOX 85  
Tel.: +359 32/9611 01  
Fax: +359 32/9611 02

[Office@sanotechnik.bg](mailto:Office@sanotechnik.bg)



Sanotechnik  
Handelsgesellschaft m.b.H.  
Industriestraße 5  
A-2752 Wöllersdorf  
Tel.: 0043/2622/421 93-0  
Fax. 0043/2622/421 93-6

Email: [office@sanotechnik.at](mailto:office@sanotechnik.at)  
[www.sanotechnik.com](http://www.sanotechnik.com)